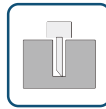


DIAL CALIPER

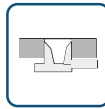
DOUBLE SHOCK-PROOF



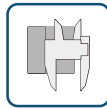
01



02



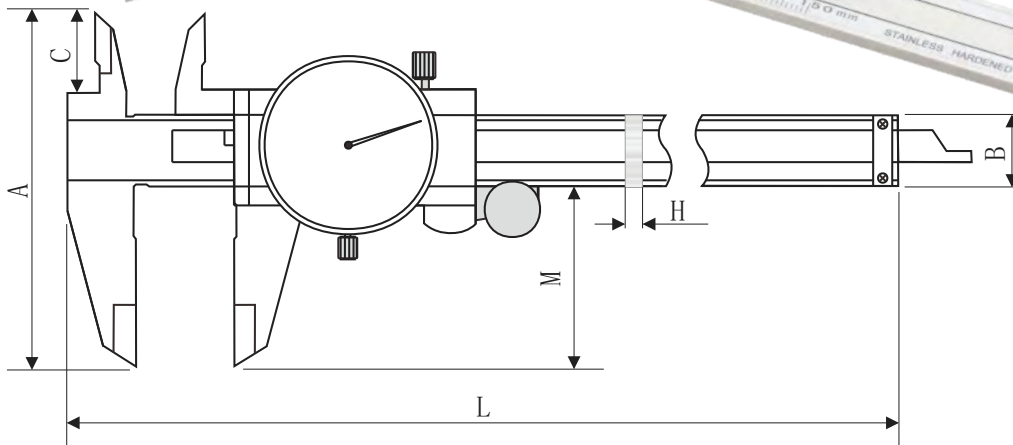
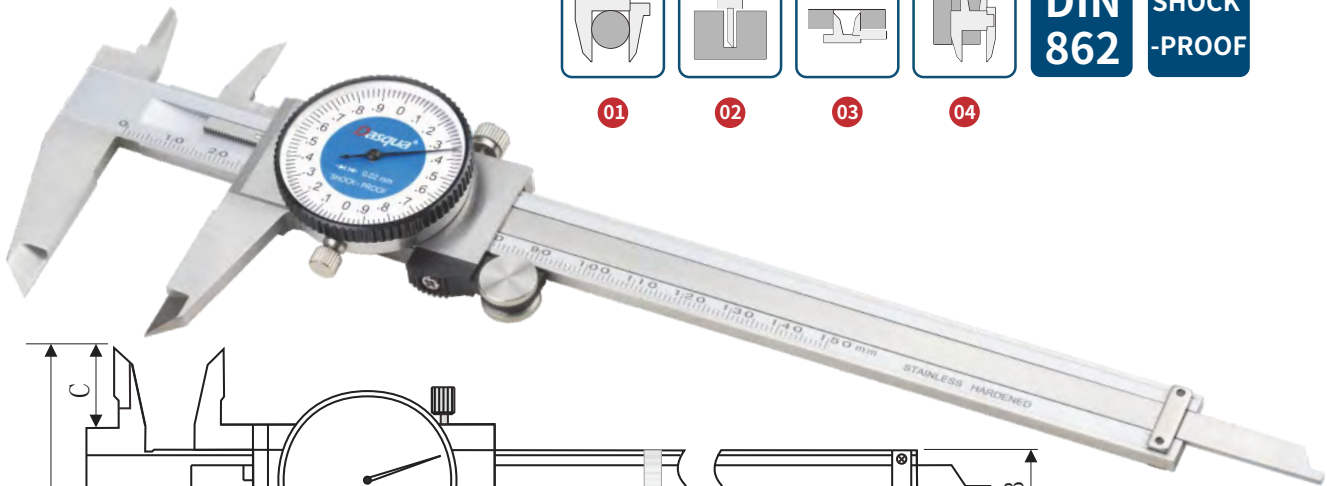
03



04

DIN 862

SHOCK-PROOF



- Tough shock-proof gearing
- 4 usages for measuring outside diameter, inside diameter, step and depth



- Made of solid stainless steel
- Strictly made in accordance with DIN862



- Distinct lines and figures laser etched against satin chrome finish
- With locking screw for stable reading
- Large dial for easy and clear reading

Unit:mm

Code	Range	Graduation	L	A	B	C	H	M	Accuracy
1331-2110	0-100	0.02	166.5	62	13.5	13.8	3.3	30	±0.02
1331-2115	0-150	0.02	236	77	16	16.5	3.5	40	±0.03
1331-2120	0-200	0.02	285	88	16	19.5	3.5	48	±0.03
1331-2130	0-300	0.02	410	110	20	22.5	4.0	62	±0.04
1350-5004	0-100	0.01	166.5	62	13.5	13.8	3.3	30	±0.02
1350-5005	0-150	0.01	236	77	16	16.5	3.5	40	±0.03
1350-5010	0-200	0.01	285	88	16	19.5	3.5	48	±0.03
1350-5015	0-300	0.01	410	110	20	22.5	4.0	62	±0.04
1332-4105	0-4"	0.001"	166.5	62	13.5	13.8	3.3	30	±0.001"
1332-4110	0-6"	0.001"	236	77	16	16.5	3.5	40	±0.001"
1332-4115	0-8"	0.001"	285	88	16	19.5	3.5	48	±0.001"
1332-4120	0-12"	0.001"	410	110	20	22.5	4.0	62	±0.0015"