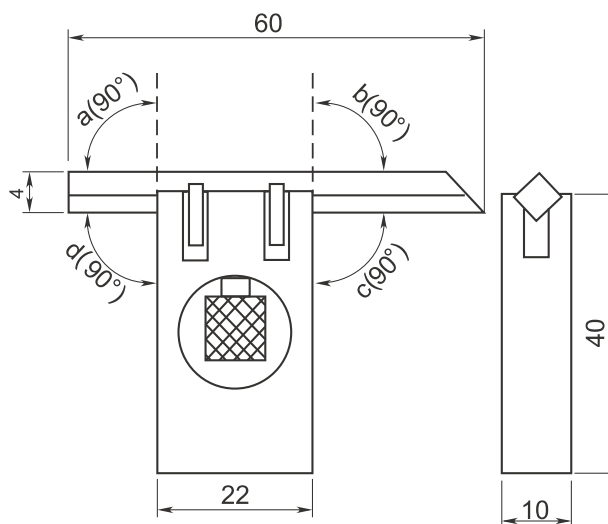


ADJUSTABLE BEVEL SQUARE

DIN
875



- Use with light gap method for inspection work



- Used to measure the short or small parts, chamfers and others by moving the straight edge



- High precision square, smooth straight edge which can be locked by the clamping screw at the desired position
- Measuring surfaces are precision ground and lapped
- Made of hardened stainless steel

Unit:mm

Code	Standard	Foot Size	Ruler Length	Ruler Cross Section
9161-1105	DIN875/0	40x22x10	60	4x4