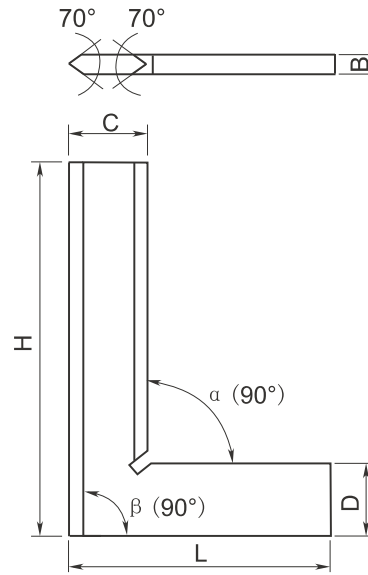


90° BEVELED EDGE SQUARE

**DIN
875**



- Strictly made in accordance with DIN875
- Beveled edges can be used for inside and outside measurement



- Made of hardened stainless steel
- Measuring surfaces are precision ground and lapped

GRADE 0

Unit:mm

Code	Standard	Size(HxL)	Angle Tolerance	C	D	B
9111-1104	DIN875/0	40x28	0.006	4	6	3.5
9111-1105	DIN875/0	50x40	0.006	13	13	4
9111-1110	DIN875/0	75x50	0.007	15	15	4
9111-1115	DIN875/0	100x70	0.007	20	20	5
9111-1120	DIN875/0	150x100	0.008	30	30	6
9111-1125	DIN875/0	200x130	0.009	33	33	7

GRADE 00

Unit:mm

Code	Standard	Size(HxL)	Angle Tolerance	C	D	B
9100-1102	DIN875/00	25x20	0.003	4	6	3.5
9100-1104	DIN875/00	40x28	0.003	4	6	3.5
9100-1105	DIN875/00	50x40	0.003	13	13	4
9100-1110	DIN875/00	75x50	0.003	15	15	4
9100-1115	DIN875/00	100x70	0.003	20	20	5
9100-1120	DIN875/00	150x100	0.004	30	30	6
9100-1125	DIN875/00	200x130	0.004	33	33	7