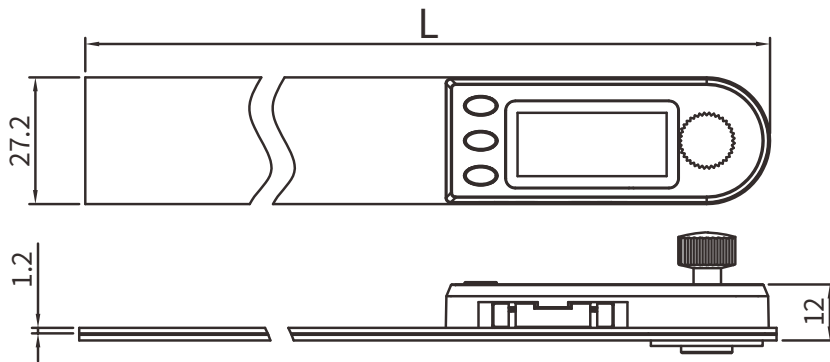
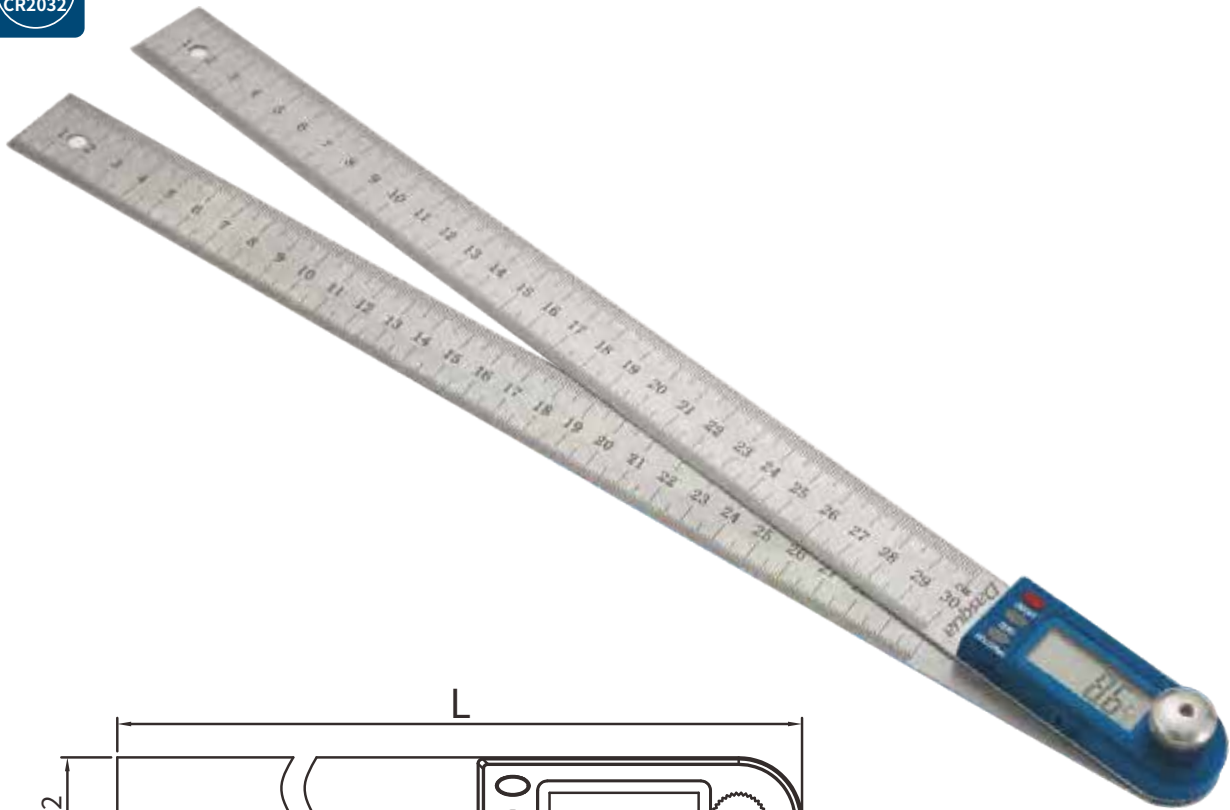





STAINLESS DIGITAL PROTRACTOR



- 
 - For easy measurement and transfer of angles
 - Easy-to-read display
- 
 - With clamping screw to lock the blades
 - Automatic power off
- 
 - Numeric value can be rotated through 180°
 - Zero-setting at any position
 - Upper and lower edges both with 1 mm graduations

Unit:mm

Code	Size	Range	Resolution	L	Accuracy
1022-0200	200	0-360°	0.05°	277	±0.2°
1022-0300	300	0-360°	0.05°	380	±0.2°