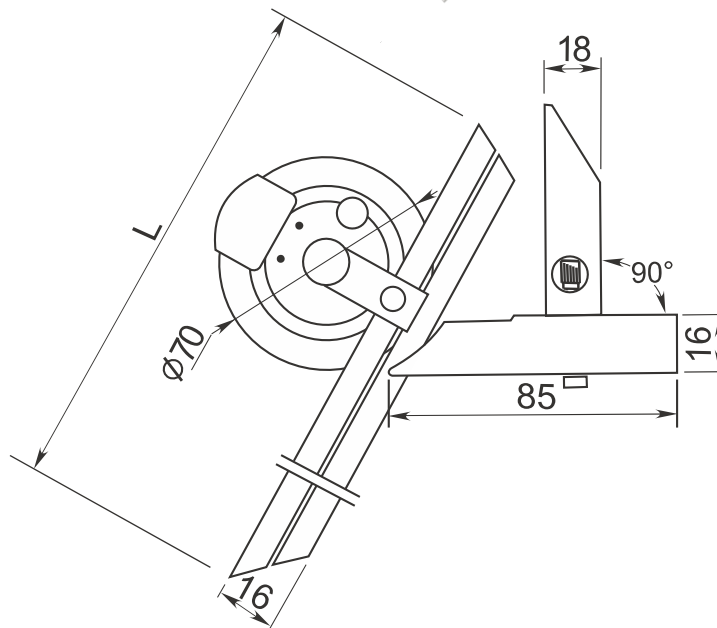


# UNIVERSAL PROTRACTOR

## WITH FINE ADJUSTMENT AND MAGNIFIER



- Made of stainless steel
- With a magnifier for easy and clear reading



- Measuring surface hardened, ground and lapped ensures smooth movement
- Satin chrome finish, anti-rust and durable



- With fine adjustment
- Provided with three blades (150mm, 200mm, 300mm)

Unit:mm

Code	Range	Graduation	L	Accuracy
1031-2005	0-360°	5'	150/200/300	±5'