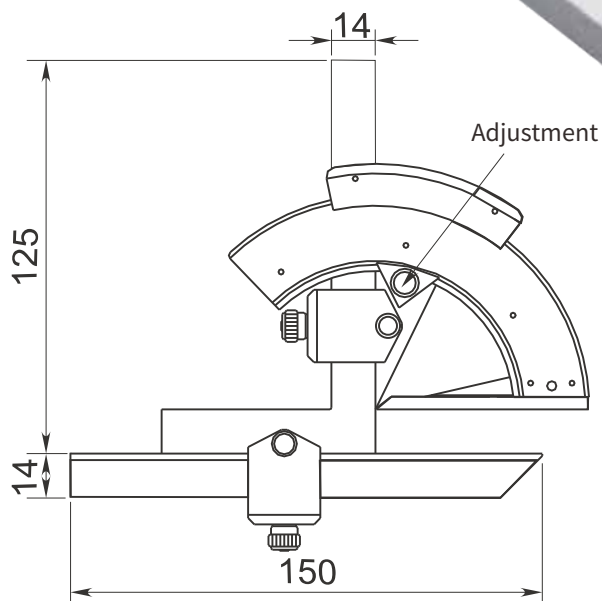
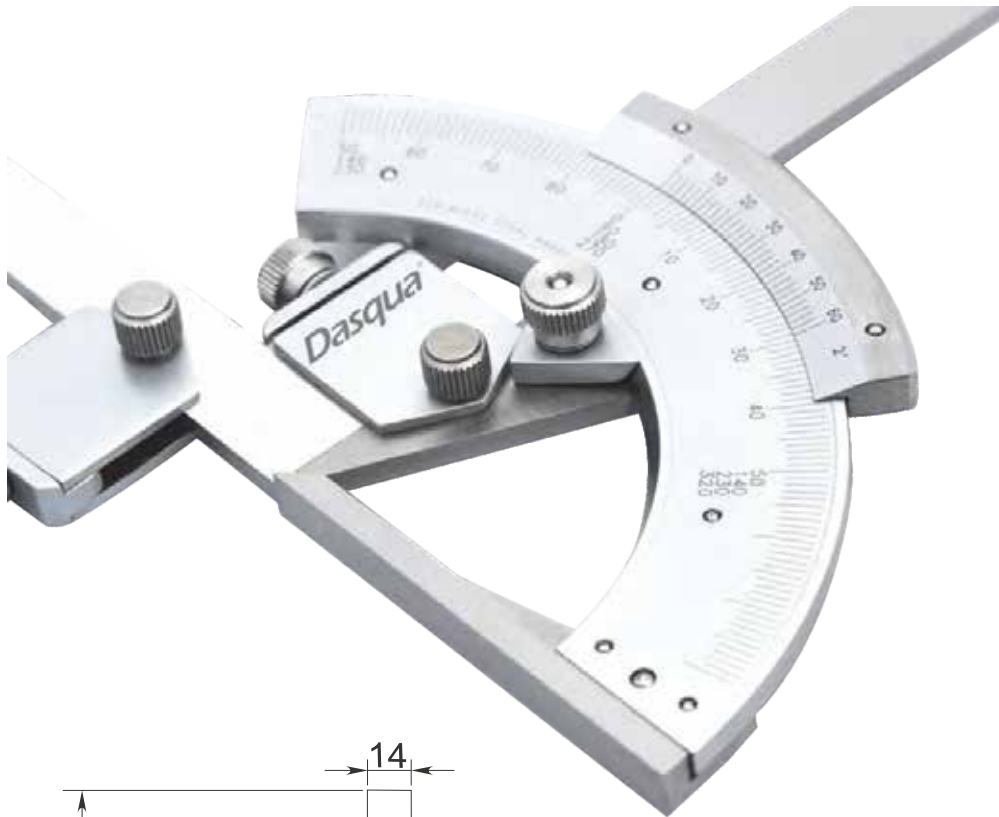




# UNIVERSAL PROTRACTOR



- 
  - Made of stainless steel
  - With fine adjustment
- 
  - Measuring surface hardened, ground and lapped ensures smooth movement
  - Satin chrome finish, anti-rust and durable

Unit:mm

Code	Range	Graduation	Accuracy
1012-2005	0-320°	2'	±2'