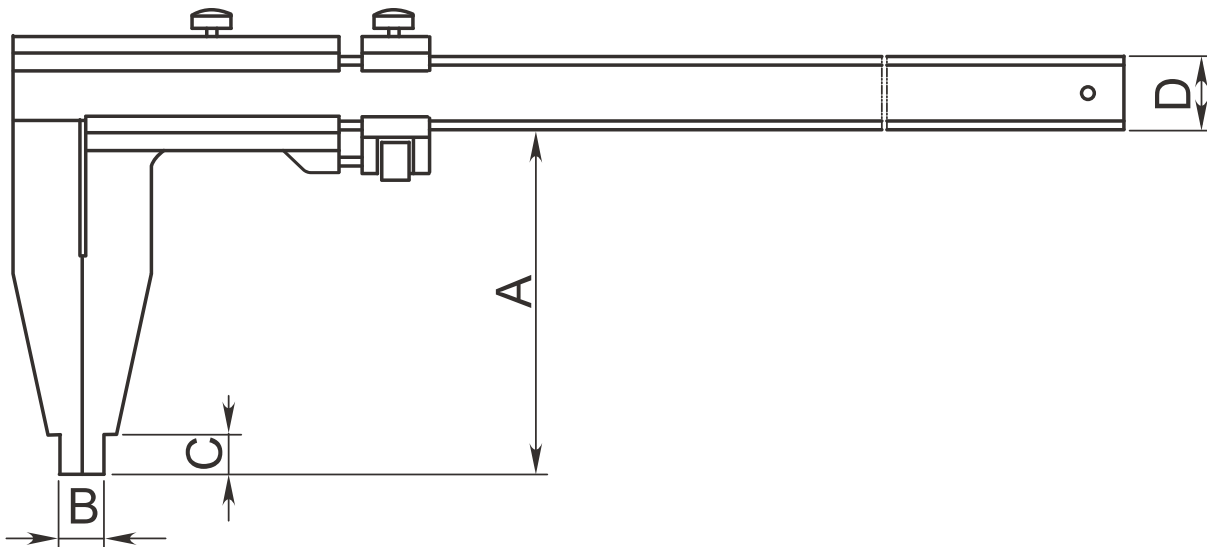




MONOBLOCK VERNIER CALIPER

WITH NIB STYLE JAWS



- 
 - With fine adjustment
 - Hardened ground jaws with precision lapped measuring faces
- 
 - Satin chrome finish, hardened stainless steel throughout for longer life
 - Distinct lines and figures etched against satin chrome finish

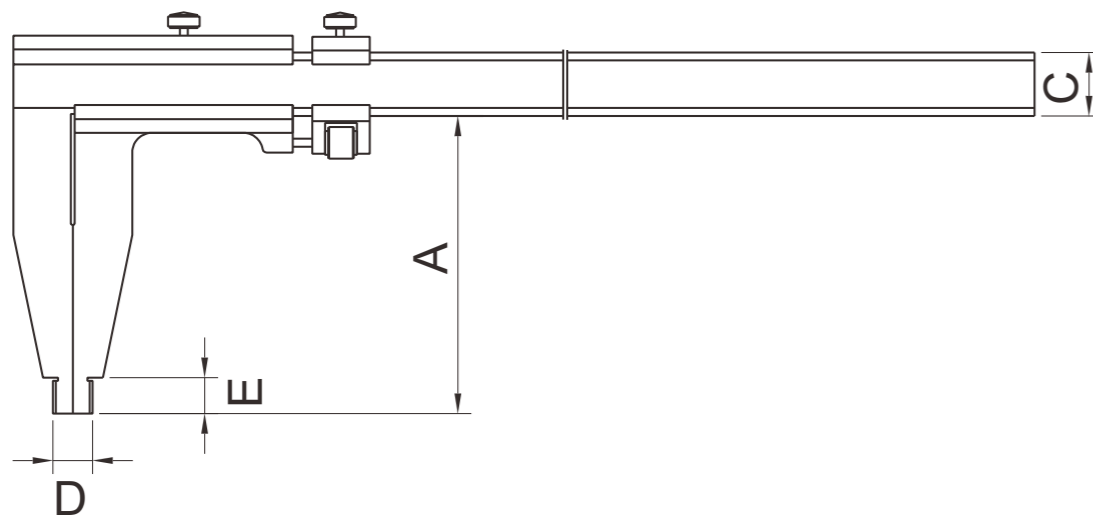
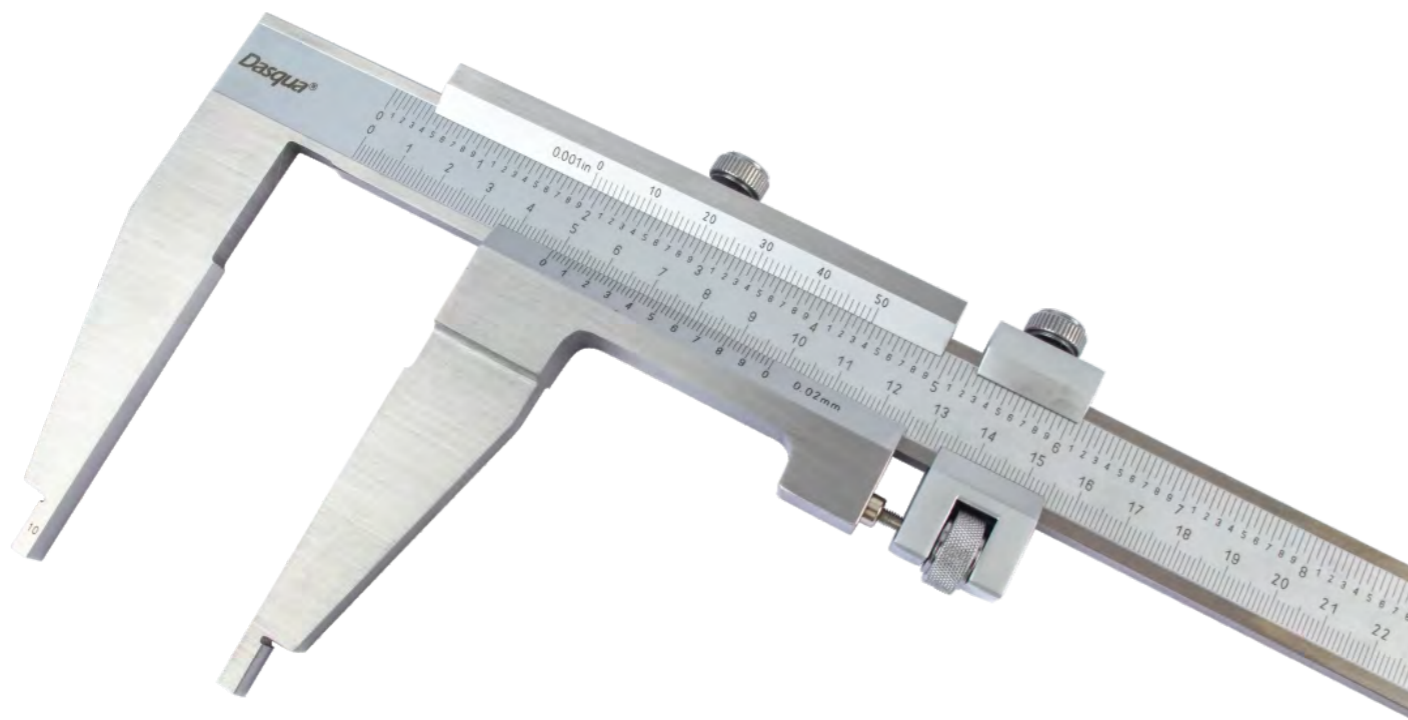
Unit:mm

Code	Range	Graduation	A	B	C	D	Accuracy
1310-0005	0-500/0-20"	0.02/0.001"	100	10	12	25	±0.05
1310-0006	0-500/0-20"	0.02/0.001"	150	10	12	32	±0.05
1310-0010	0-600/0-24"	0.02/0.001"	100	10	12	25	±0.05
1310-0011	0-600/0-24"	0.02/0.001"	150	10	12	32	±0.05
1310-0015	0-1000/0-40"	0.02/0.001"	125	20	18	32	±0.07
1310-0016	0-1000/0-40"	0.02/0.001"	200	20	18	32	±0.07
1310-0020	0-1500/0-60"	0.02/0.001"	150	20/30	20	32/41.5	±0.11
1310-0025	0-2000/0-80"	0.02/0.001"	200	20/30	20	52	±0.14

MONOBLOCK VERNIER CALIPER

WITH NIB STYLE JAWS

- With fine adjustment
- Hardened ground jaws with precision lapped measuring faces
- Satin chrome finish, hardened stainless steel throughout for longer life
- Distinct lines and figures etched against satin chrome finish



Unit:mm

Code	Range	Graduation	A	C	D	E	Accuracy	Type
1310-0004	0-200mm/0-8"	0.02/0.001"	60	17	10	10	±0.03	closed
1310-0028	0-250mm/0-10"	0.02/0.001"	60	17	10	10	±0.04	closed
1310-0065	0-250mm/0-10"	0.02/0.001"	90	17	10	10	±0.09	closed
1310-0050	0-300mm/0-12"	0.02/0.001"	60	17	10	10	±0.04	closed
1310-0030	0-300mm/0-12"	0.02/0.001"	90	17	10	10	±0.09	closed
1310-0070	0-300mm/0-12"	0.02/0.001"	125	25	10	12	±0.12	closed
1310-0031	0-300mm/0-12"	0.02/0.001"	150	25	10	12	±0.15	closed
1310-0005	0-500mm/0-20"	0.02/0.001"	100	25	10	12	±0.05	closed
1310-0035	0-500mm/0-20"	0.02/0.001"	125	25	10	12	±0.10	closed
1310-0006	0-500mm/0-20"	0.02/0.001"	150	25	10	12	±0.12	closed
1310-0007	0-500mm/0-20"	0.02/0.001"	200	25	10	12	±0.16	closed
1310-0010	0-600mm/0-24"	0.02/0.001"	100	25	10	12	±0.05	closed
1310-0040	0-600mm/0-24"	0.02/0.001"	125	25	10	12	±0.10	closed
1310-0011	0-600mm/0-24"	0.02/0.001"	150	25	10	12	±0.12	closed
1310-0012	0-600mm/0-24"	0.02/0.001"	200	25	10	12	±0.16	closed
1310-0085	0-800mm/0-32"	0.02/0.001"	125	32	20	18	±0.06	closed
1310-0090	0-800mm/0-32"	0.02/0.001"	150	32	20	18	±0.14	closed
1310-0043	0-800mm/0-32"	0.02/0.001"	200	32	20	18	±0.18	closed
1310-0095	0-800mm/0-32"	0.02/0.001"	250	32	20	18	±0.20	closed
1310-0015	0-1000mm/0-40"	0.02/0.001"	125	32	20	18	±0.07	closed
1310-0060	0-1000mm/0-40"	0.02/0.001"	150	32	20	18	±0.14	closed
1310-0016	0-1000mm/0-40"	0.02/0.001"	200	32	20	18	±0.18	closed
1310-0100	0-1000mm/0-40"	0.02/0.001"	250	32	20	18	±0.23	closed
1310-0020	0-1500mm/0-60"	0.02/0.001"	150	41.5	20	20	±0.11	closed
1310-0055	0-1500mm/0-60"	0.02/0.001"	200	41.5	20	20	±0.11	closed
1310-0110	0-1500mm/0-60"	0.02/0.001"	250	41.5	20	20	±0.27	closed
1310-0021	0-1500mm/0-60"	0.02/0.001"	300	41.5	20	20	±0.32	closed
1310-0025	0-2000mm/0-80"	0.02/0.001"	200	41.5	20	20	±0.14	closed
1310-0120	0-2000mm/0-80"	0.02/0.001"	250	41.5	20	20	±0.25	closed
1310-0125	0-2000mm/0-80"	0.02/0.001"	300	41.5	20	20	±0.30	closed
1310-0145	0-2500mm/0-100"	0.02/0.001"	300	53	20	20	±0.22	closed
1310-0155	0-3000mm/0-120"	0.02/0.001"	300	53	20	20	±0.26	closed