

DIGITAL CALIPER



01



02



03



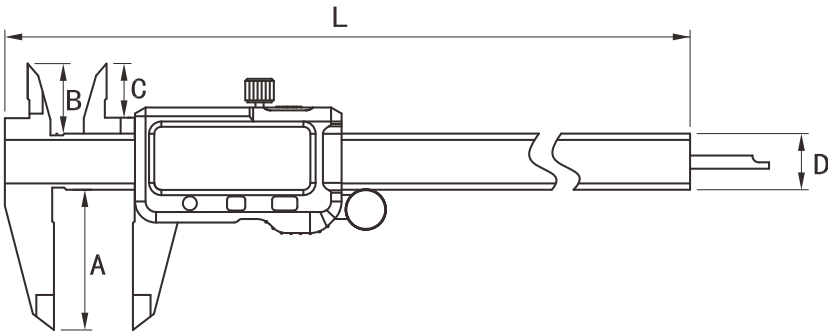
04



DIN
862

Battery
+
CR2032

mm / in

Data
output



-  • Strictly made in accordance with DIN862
-  • Hardened, ground and lapped measuring surfaces for longer service life
- Measuring surfaces ground for ultimate accuracy and smooth throughout
- With data output

Unit:mm

Code	Range	Resolution	A	B	C	D	L	Accuracy
2000-2005	0-150/0-6"	0.01/0.0005"	40	20	15.5	16	235	0.02/0.001"
2000-2010	0-200/0-8"	0.01/0.0005"	50	24	19.5	16	287	0.03/0.0015"
2000-2015	0-300/0-12"	0.01/0.0005"	60	26	21.5	16	390	0.03/0.0015"