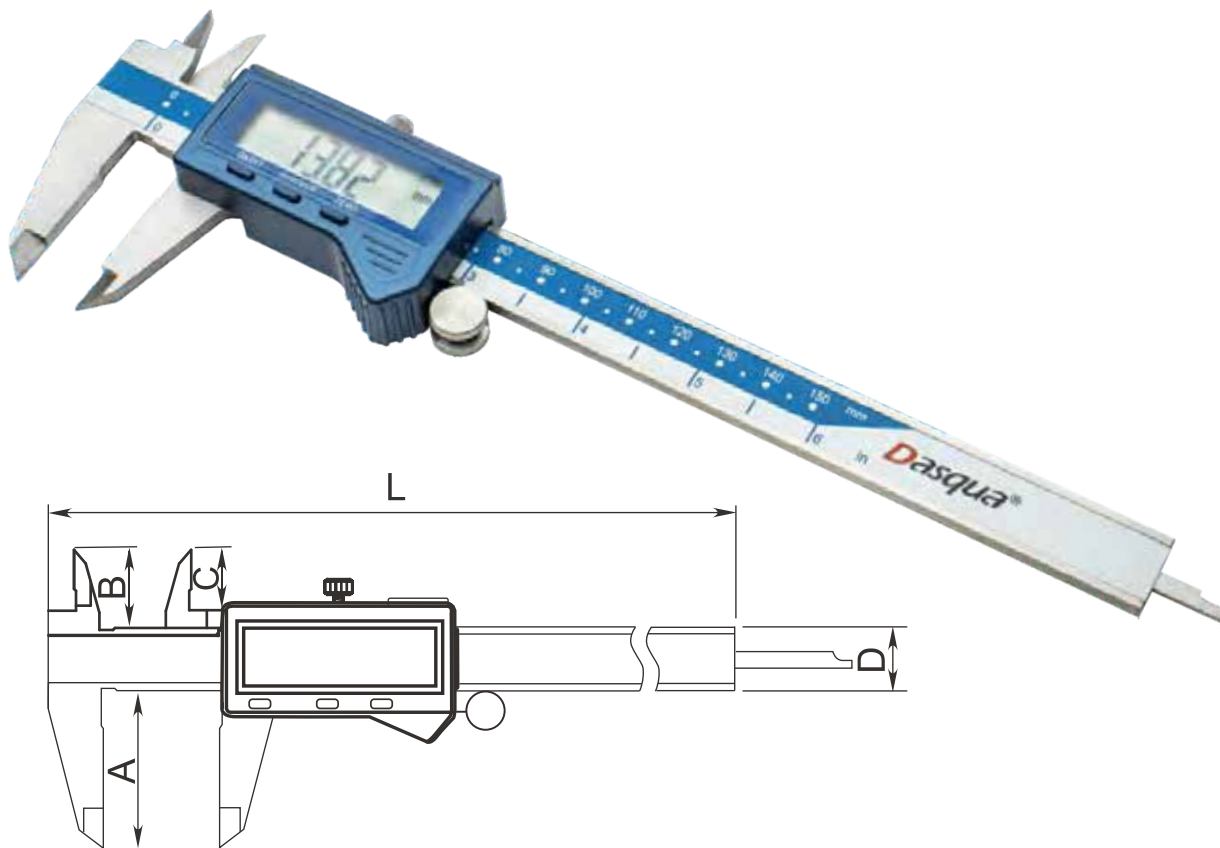





DIGITAL CALIPER



- 
 - Bigger screen with larger digits for easy reading
 - Strictly made in accordance with DIN862
- 
 - Hardened, ground and lapped measuring surfaces for longer service life
 - Measuring surfaces ground for ultimate accuracy and smooth throughout
- 
 - With data output
 - With fraction function

Unit:mm

Code	Range	Resolution	A	B	C	D	L	Accuracy
1804-1065	0-150/0-6"	0.01/0.0005"/1/128"	40	20	15.5	16	235	0.02/0.001"
1804-1070	0-200/0-8"	0.01/0.0005"/1/128"	50	24	19.5	16	287	0.03/0.0015"
1804-1075	0-300/0-12"	0.01/0.0005"/1/128"	60	26	21.5	16	390	0.03/0.0015"